

Quantar to Quad Port Radio Card  
Interface and configuration

RJ-45	Pullup?	Function	Color	Function	PIN	PIN	Function	Color	Function	Pullup?	RJ-45
7		Tx Audio	Blue/White	TX +	1	26	TX -	White/Blue	Ground		8
1		RX audio	Orange/White	RX +	2	27	TX -	White/Orange	Ground		8
					3	28					
					4	29					
					5	30					
					6	31					
8		Ground	Orange/Red	Ground	7	32	Ground	Red/Orange	Ground		8
		5v for pullup	Green/Red	+5V (1A)	8	33	+14.2V (1A)	Red/Green	NC		
					9	34					
					10	35					
	10k to 5v	NC	Blue/Black	AUX IN 1	11	36	AUX OUT 1	Black/Blue	ALRM	10k to 5v	3
	10k to 5v	NC	Orange/Black	AUX IN 2	12	37	AUX OUT 2	Black/Orange	PL/DPL	10k to 5v	6
					13	38					
					14	39					
					15	40					
					16	41					
					17	42					
2	10k to 5v	COR (+5v)	Green/Yellow	AUX OUT 7 RLY A	18	43	AUX OUT 7 RLY	Yellow/Green	Input to relay	10k to 5v	
					19	44					
					20	45					
					21	46					
		10k to 5v	Orange/Violet	AUX 9, PTT + in	22	47	AUX 9, PTT -	Violet/Orange	PTT out		5
					23	48					
					24	49					
					25	50					

Quantar to Quad Port Radio Card  
Interface and configuration

Pullup resistors are required on outputs between +5v and the pcradio card input on the signal line  
A switch on the PTT line (47) between the repeater and the pcradio card is helpful  
Wild card tables are as follows

Table	Name	Function
1	COS	Setup COS to activate and enable audio on carrier squelch
	State	RX CAR DETECT
	Action	Set output 7
	Action	RX Qual Force
	Inaction	CLR output 7
2	PTT	Key the transmitter from the wireline upon grounding 47
	State	Input 9
	Inaction	Unkey from WL
3	PL Active	If PL/DPL is matched, line 37 (out2) goes high
	State	RX PL Detect
	Inaction	CLR output 2
4	Alarm	If any alarm on station set 36 (out1) high
	State	STN Alarm
	Inaction	CLR output 1
5	ASTRO CHAN 2	If any P25 user, switch to channel 2
	State	RX ASTRO ID, or, ASTRO RPTR PTT, or, DATA PTT
	Inaction	NULL
6	Analog User	If any Analog PTT, switch to CH 1
	State	LINE PTT, or, LOCAL PTT
	Inaction	NULL

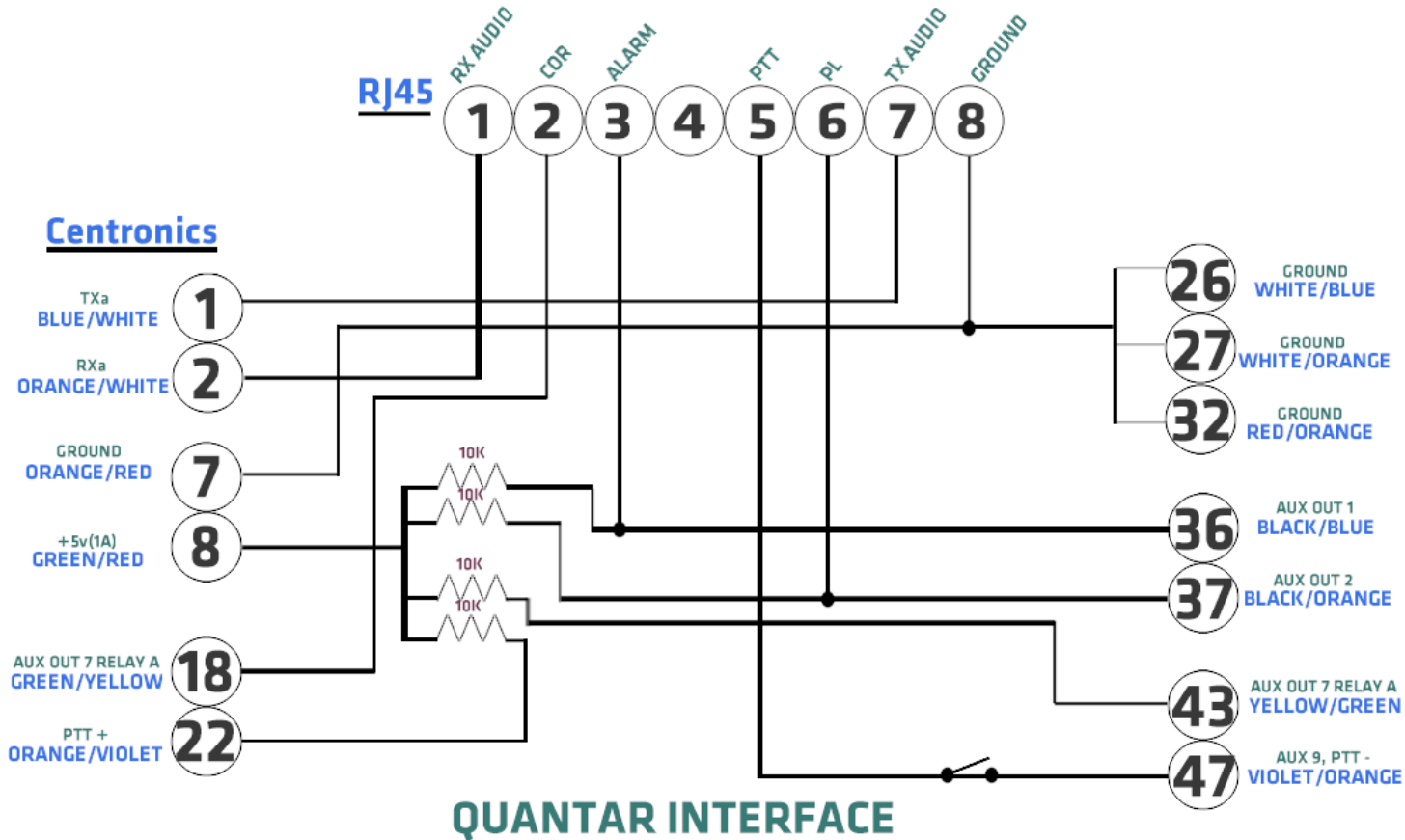
Wildcard Setup		
Input	1-8	Low
Input	9-12	Low
Output	1,2	High
Output	3-10	Low

This needs enhanced wildcard to work  
If you only have 4 wire, set it to 8 wire on the config screen and then enhanced wireline, the functions will still work, with the exception of IO or anything that needs the hardware of the 8 wire board

## Quantar to Quad Port Radio Card Interface and configuration

This is useful to let the station do in cabinet repeat for P25 (ASTRO) and then have the controller handle analog repeater. The problem with this is the station ID will activate for analog and digital users, giving two IDs, one from the station and one from app\_rpt. The solution is programming channel 1 with out an ID and then channel 2 with an ID. When an P25 user keys up, it will switch to channel 2 and stay until the controller keys up and then switch back to channel 1.

[Example codeplug](#)



This works well if built in a cat5 wall box, up to four interfaces can be put in a box.